

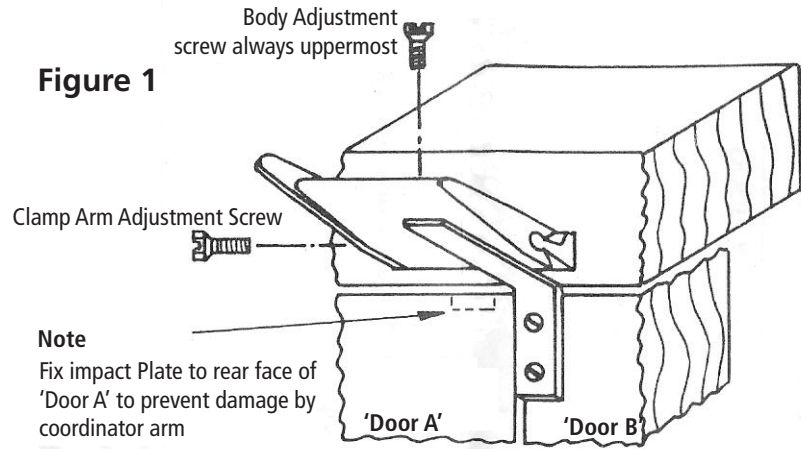


3	5	5	0	1	0
---	---	---	---	---	---

Classification in accordance with Clause 4. European Standard BSEN 1158

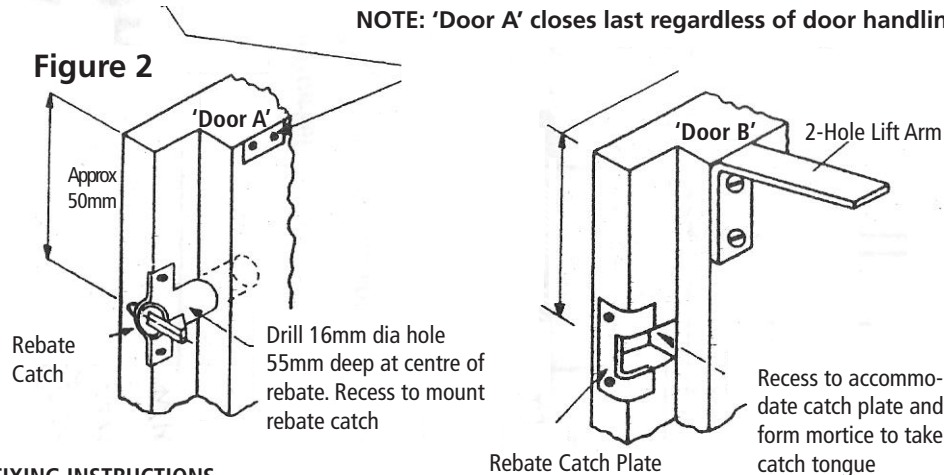
MK1 DOOR COORDINATOR FIXING INSTRUCTIONS

Figure 1



NOTE: 'Door A' closes last regardless of door handling

Figure 2



FIXING INSTRUCTIONS

1. Detach coordinator body from coordinator bracket by unscrewing the body adjustment screw and slide sideways out.
2. Fix the coordinator bracket to the head frame using either template printed on the back of this sheet, depending on which door closes first.
3. Reassemble coordinator body onto bracket using body adjustment screw
4. Drill rebate catch into door frame as per Figure 2 'Door A'.
5. Attach 2-hole lift arm onto first closing door using template 'Door B'
6. To adjust coordinator arm, slide the coordinator arm to a position so that 'Door A' is held open sufficiently to allow 'Door B' to close. Then tighten clamp arm adjustment screw to position the arm correctly.
7. Fix impact plate and rebate catch plate to doors as per Figure 2.
8. Adjust body adjustment screw until the coordinator arm is no more than 13mm below the top of the door, so that it hits the striking impact plate.
9. Finally to ensure the coordinator is working correctly, pull 'Door B' open slowly to test that the coordinator operation is correct.

NOTE: As 'Door B' closes, the coordinator striker will now release 'Door A' by raising the coordinator arm. **Important:** It is imperative that the door closer is adjusted correctly. Undue slamming on the coordinator arm results in damage to both the coordinator and the door hinges.



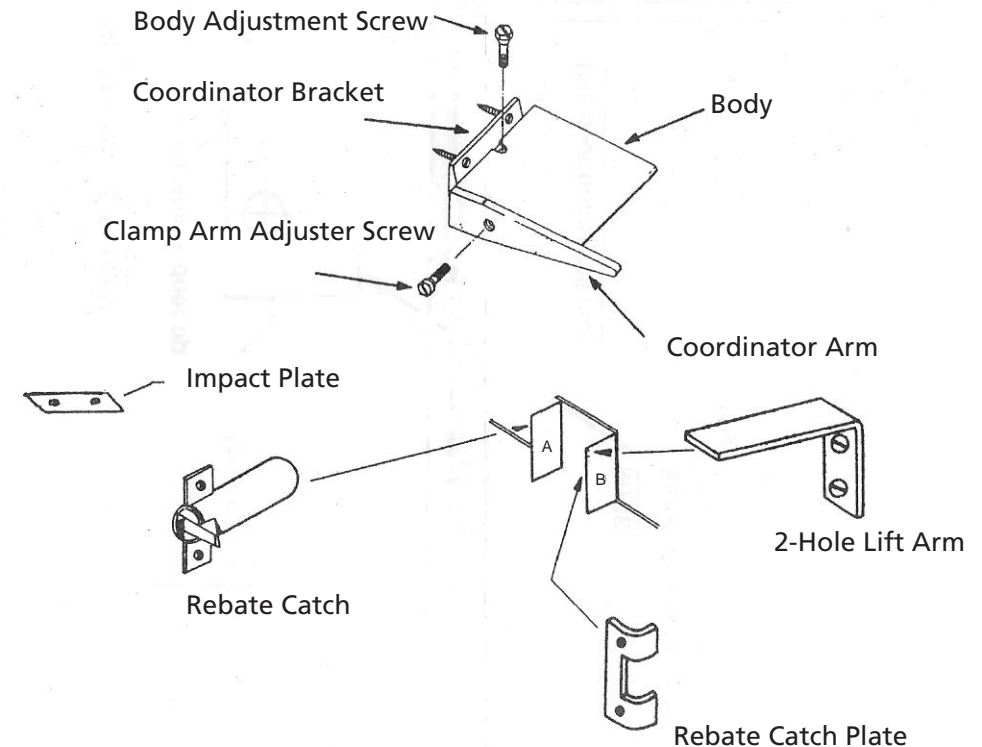
MK1 DOOR COORDINATOR FIXING INSTRUCTIONS

The door coordinator will enable a pair of self closing doors with rebated meeting stiles to close in correct sequence, automatically, irrespective of which door is opened first.

Suitable for doors of the following dimensions

Weight of door	Up to 100 Kgs	
Door Closer Size	3 - 5	
Width of each leaf	min 700mm	max 1000mm
Thickness	min 38mm	max 58mm
Rebate	min 13mm	max 25mm

Identify the component parts with the diagram below.



NB It is essential that all these parts are fitted if the coordinator is to function as stated