

# FITTING INSTRUCTIONS

MK2 FIRE DOOR COORDINATOR

STANDARD REBATE CATCH

[www.selectritehardware.com](http://www.selectritehardware.com)



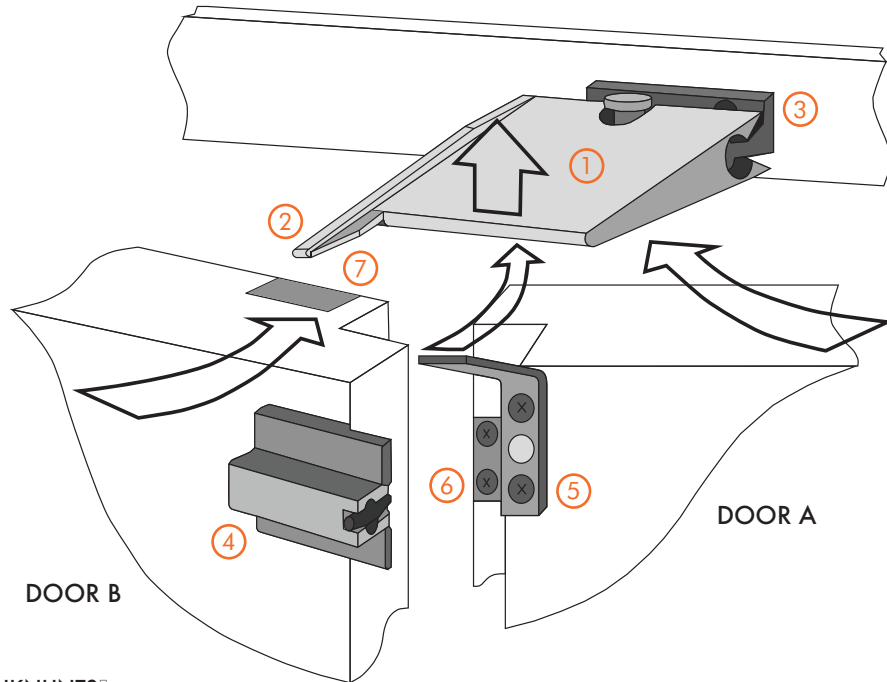
Suitable for doors of the following dimensions:

Weight of door:	Up to 120 kgs
Door closer size:	3 - 5
Width of each leaf:	min. 700 mm - max. 1000 mm
Thickness:	min. 38 mm - max. 58 mm
Rebate:	max. 25 mm



CE	Selectrite Hardware Ltd. Registered Trademark No 2507303 <a href="http://www.selectritehardware.com">www.selectritehardware.com</a> 09	
	EN 1158:1997	3 5 6-3 1* 1 3

- ① Body
  - ② Arm
  - ③ Back Bracket
  - ④ Rebate Block
  - ⑤ 3-Hole Right Angle
  - ⑥ Impact Plate A
  - ⑦ Impact Plate B
- 1 x tuf-lok screw (on body)  
2 x flathead screws  
4 x roundhead screws  
4 x small flatheads screws



MNUTIHNSTRJJKNJLLNTSSIHJNKNHNTS  
SJHTRUTSJSUUUNJJKNJI

## INSTALLATION

- Remove the Back Bracket from the Body Assembly, retaining the tuf-lok screw.
- Referring to the back of this sheet, select either the top or bottom template depending on whether Door A is on the left or right.
- Place the template at the top of the door ensuring the centre line of this template is correctly positioned against the head frame.
- Mark all screw centres.
- Screw the Back Bracket to the top of the door frame, using 2 x roundhead screws. *NB: The keyhole shape should be positioned at the bottom, with screws on top.*
- Slide the Body and Arm Assembly onto the Back Bracket, and secure loosely using the tuf-lok screw.
- Screw the 3-Hole Angle onto the first closing Door A, using 2 x flathead screws. Use the top and bottom countersunk holes only, leaving the middle hole clear.
- Making sure that the black toggle of the Rebate Block is roughly aligned with the centre of the 3-Hole Angle, screw the Rebate Block to second closing Door B using 2 x roundheaded screws.
- Where the black toggle catches on the doors rebate, use this as the centre point and fix Impact Plate A, using two small silver screws.
- Where the arm hits Door B, use this as the centre point and fix Impact Plate B using two small silver screws.

## CHECKS & ADJUSTMENTS

To ensure that the door coordinator is working correctly, please follow the list of checks and make the relevant adjustments if necessary. *NB: always do checks by slowly opening Door A first, which will also pull open Door B.*

- Ensure the arm on the body holds open Door B. If it doesn't, tighten or loosen the tuf-lok screw on top of the body to move up or down as appropriate.
- When opening the doors, ensure that the black toggle strikes Impact Plate A installed on the rebate of first closing Door A. If the toggle doesn't catch, the Rebate Block will need to be moved slightly further across the 3-hole angle.
- Ensure the rebate block doesn't interfere with door A when closing.
- Finally, ensure that the 3-Hole Angle on Door A lifts the Body Assembly, and allows Door B to fully close
- Extension of the Arm may be needed to accommodate larger/wider doors. 152mm & 202mm are available.

## IMPORTANT

- Where possible, the speed of the door closer device should be adjusted to a speed of between five and seven seconds. Closing speeds faster than that, could reduce the working life of this door coordinator and the hinges.
- This product plays an important role in the fire safety of the building, so check the security of all fixings and the correct function of the product, at monthly intervals.



Registered design number: 4027849  
Registered Community Design number: 002201699-0001

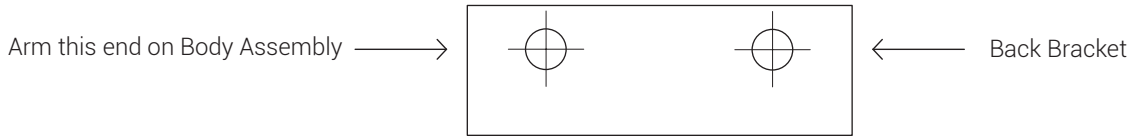
# FIXING TEMPLATE

MK2 FIRE DOOR COORDINATOR *(for guidelines only)*



USE THIS TEMPLATE WHEN **FIRST CLOSING DOOR A IS ON THE RIGHT**

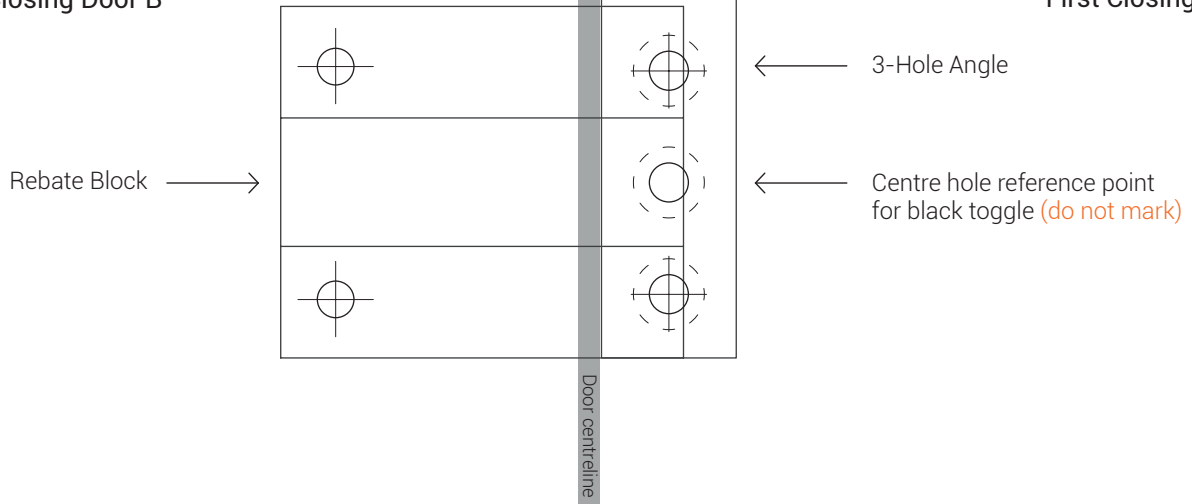
Please note this template is a guideline only and parts may need to be adjusted, depending on door set.




Position template using grey T-shaped reference

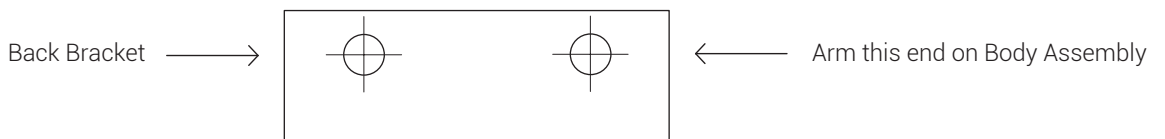
Second Closing Door B

First Closing Door A



 Mark all holes with centrepoinpoints as shown

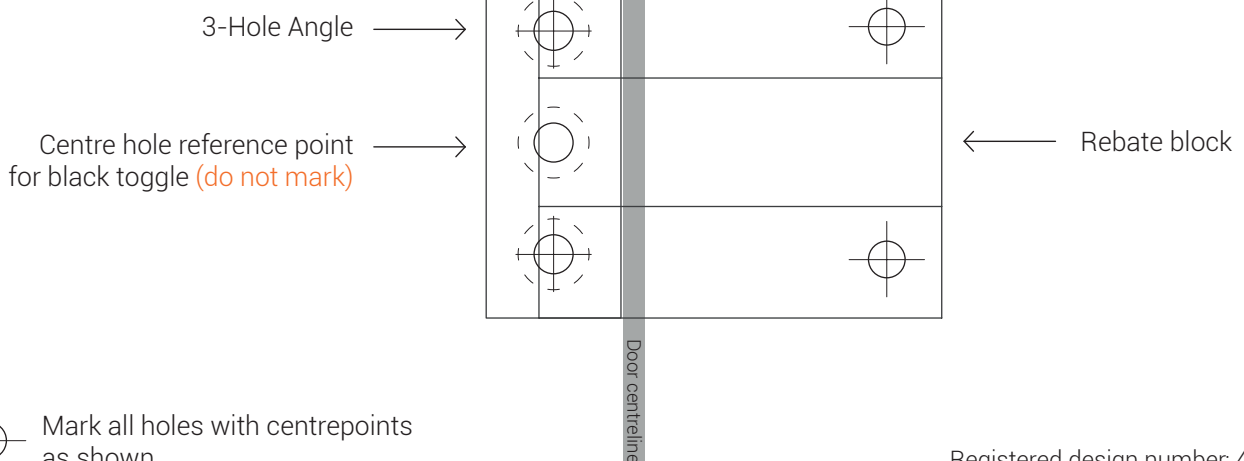
USE THIS TEMPLATE WHEN **FIRST CLOSING DOOR A IS ON THE LEFT**




Position template using grey T-shaped reference

First Closing Door A

Second Closing Door B



 Mark all holes with centrepoinpoints as shown