

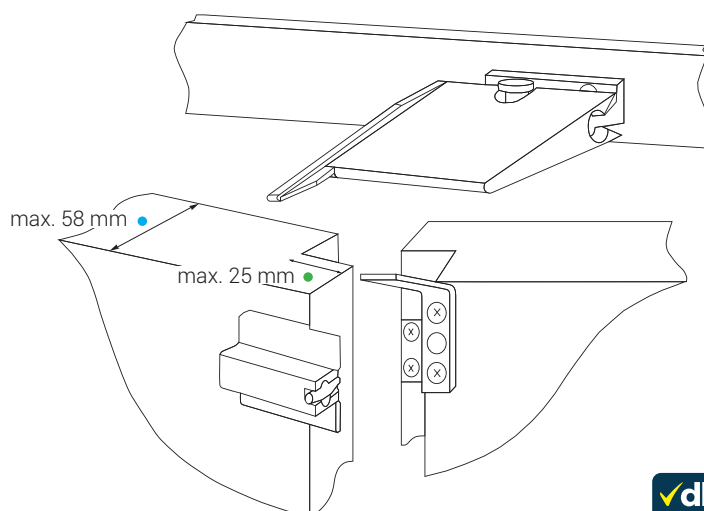
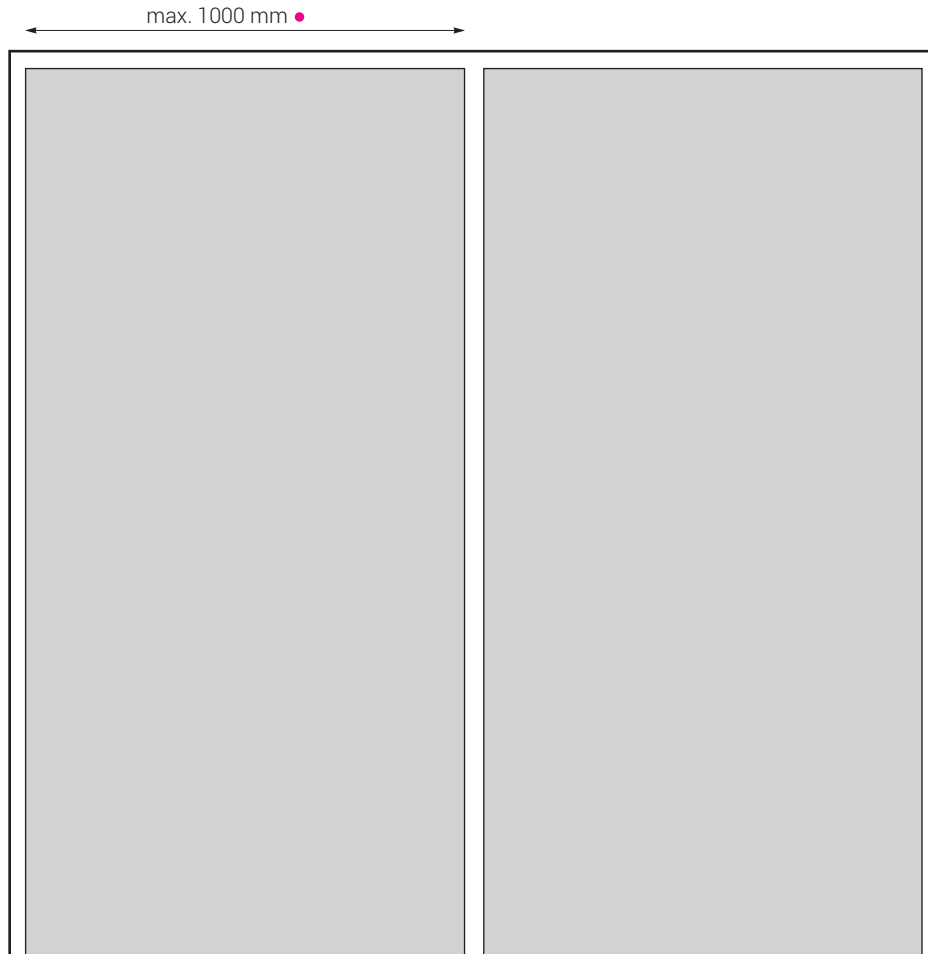
SPARES INSTRUCTIONS

MK2 FIRE DOOR COORDINATOR
STANDARD REBATE CATCH

www.selectritehardware.com

FOR STANDARD REBATE CATCH & STANDARD ARM, DOORS MUST BE:

- Door Width: max. 1000 mm
- Thickness: max. 58 mm
- Rebate: max. 25 mm



SPARES INSTRUCTIONS

MK2 FIRE DOOR COORDINATOR
EXTENDED REBATE CATCH

www.selectritehardware.com

FOR EXTENDED REBATE CATCH (152/202 ARM), DOORS MUST BE:

- Door Width: Over 1000 mm
- Thickness: Over 58 mm
- Rebate: Over 25 mm

NOTE: Suitable for cranked astragal

